

ARCAFAÇADE®

CE
EN 12101-2
EN 1873 + A1: 2016

ÉVOLUTION PNEUMATIQUE

ORIGIN' VERSION



Types of filling

ORIGIN' RANGE:

- Opal PCA 10
- Fireproof (M0) aluminium blade, unfinished or lacquered in RAL colours
- Insulated aluminium blade - sheet metal on both sides, unfinished or lacquered in RAL colours



Frame

- Wide choice of profile sections suitable for all types of installation



Control

- Pneumatic opening/closing

The ARCAFAÇADE® ÉVOLUTION PNEUMATIQUE is an NSHEV capable of natural smoke exhaust, comfort ventilation and air inlet functions. It is designed for wall mounting at an inclination of between 60° and 90° relative to the horizontal. It can be installed on (translucent, steel or wood) cladding, (glass or polycarbonate) shed roofs or (masonry or curtain wall) façades.



OPTIONS



Types of filling

- Opal PCA 10 IR
- Black and white opaque PCA 10
- Transparent PCA 10
- PCA 10 + Lumira*



Control

- Limit switch
- Thermofuse



Frame

- Lacquered interior/exterior (standard RAL colours)

Filling performance

Other filling and filling options: see "Filling" data sheet.

Type of filling	Thermal transmittance factor Ug (W/ m ² .K)	LT D65 ⁽²⁾	SF or g ⁽²⁾	Reaction to fire	R _w (dB) ⁽³⁾
	U _{hor} ⁽¹⁾				
Opal 4-wall PCA 10	2.9	61%	61%	B-s1-d0	R _w =19 dB
33.2 laminated glass	ND	>85 %	ND	ND	ND
Aluminium blade	ND	0%	0%	ND	ND
Insulated aluminium blade	ND	0%	0%	ND	ND

⁽¹⁾Relative to the horizontal, as per §2.31 of the Th-Bat regulations.

⁽²⁾Light transmittance LT D65 and solar transmittance SF (TST or g) as per EN 410.

⁽³⁾Filling insulated against airborne noise R_w, pink noise R_a (environment, airport and industrial activities) and road noise R_{a,lr}, laboratory-measured according to NF EN ISO 140.

Size range and consumption

Number of blades	Length (cm)	Width (cm)												
		1000	1100	1200	1300	1400	1500	1600	1700	1800	1900	2000	2100	2200
6	1107													
7	1269													
8	1431													
9	1593													
10	1755													
11	1917													
12	2079													
13	2241													
14	2403													
15	2565													
16	2727													
17	2889													
18	3051													

Filling options depending on size:



Consumption is the same for all filling options: 4.35 normo litres at 15 bar.

In ventilation mode (using the site's compressed air supply), a pressure of at least 7 bar is required. In smoke extraction mode, an operating pressure of 15 bar is required.

COMPLIANCE & INSTALLATION

CE certified NSHEV compliant with NF EN 12101-2 (product certification No. 0333 CPR 219065).

The product must be fastened and sealed in accordance with the requirements defined in the applicable DTU specifications (series 40 and 43).

DoP available at www.skydome.eu

Geometric area A_v (m²)

Number of blades	Length (cm)	Width (cm)												
		1000	1100	1200	1300	1400	1500	1600	1700	1800	1900	2000	2100	2200
6	1107	1.11	1.22	1.33	1.44	1.55	1.66	1.77	1.88	1.99	2.10	2.21	2.32	2.44
7	1269	1.27	1.40	1.52	1.65	1.78	1.90	2.03	2.16	2.28	2.41	2.54	2.66	2.79
8	1431	1.43	1.57	1.72	1.86	2.00	2.15	2.29	2.43	2.58	2.72	2.86	3.01	3.15
9	1593	1.59	1.75	1.91	2.07	2.23	2.39	2.55	2.71	2.87	3.03	3.19	3.35	3.50
10	1755	1.76	1.93	2.11	2.28	2.46	2.63	2.81	2.98	3.16	3.33	3.51	3.69	3.86
11	1917	1.92	2.11	2.30	2.49	2.68	2.88	3.07	3.26	3.45	3.64	3.83	4.03	4.22
12	2079	2.08	2.29	2.49	2.70	2.91	3.12	3.33	3.53	3.74	3.95	4.16	4.37	4.57
13	2241	2.24	2.47	2.69	2.91	3.14	3.36	3.59	3.81	4.03	4.26	4.48	4.71	4.93
14	2403	2.40	2.64	2.88	3.12	3.36	3.60	3.84	4.09	4.33	4.57	4.81	5.05	5.29
15	2565	2.57	2.82	3.08	3.33	3.59	3.85	4.10	4.36	4.62	4.87	5.13	5.39	5.64
16	2727	2.73	3.00	3.27	3.55	3.82	4.09	4.36	4.64	4.91	5.18	5.45	5.73	6.00
17	2889	2.89	3.18	3.47	3.76	4.04	4.33	4.62	4.91	5.20	5.49	5.78	6.07	6.36
18	3051	3.05	3.36	3.66	3.97	4.27	4.58	4.88	5.19	5.49	5.80	6.10	6.61	6.71

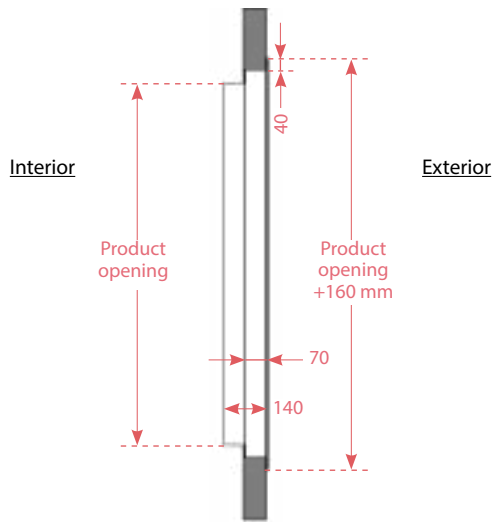
Geometric area A_v (m²)

Number of blades	Length (cm)	Width (cm)												
		1000	1100	1200	1300	1400	1500	1600	1700	1800	1900	2000	2100	2200
6	1107	0.66	0.73	0.81	0.88	0.95	1.02	1.09	1.16	1.23	1.30	1.37	1.44	1.51
7	1269	0.77	0.85	1.01	1.01	1.09	1.17	1.25	1.34	1.43	1.52	1.60	1.69	1.77
8	1431	0.87	0.96	1.05	1.15	1.24	1.33	1.44	1.54	1.63	1.72	1.82	1.91	2.00
9	1593	0.97	1.07	1.18	1.28	1.39	1.51	1.61	1.72	1.82	1.93	2.03	2.13	2.24
10	1755	1.07	1.19	1.30	1.43	1.55	1.67	1.78	1.90	2.01	2.13	2.24	2.36	2.48
11	1917	1.18	1.30	1.43	1.57	1.70	1.83	1.95	2.08	2.21	2.33	2.46	2.58	2.71
12	2079	1.28	1.42	1.57	1.71	1.85	1.99	2.12	2.26	2.40	2.53	2.67	2.81	2.95
13	2241	1.38	1.53	1.70	1.85	2.00	2.14	2.29	2.44	2.59	2.74	2.89	3.03	3.18
14	2403	1.48	1.67	1.82	1.98	2.14	2.30	2.46	2.62	2.78	2.94	3.10	3.26	3.40
15	2565	1.59	1.78	1.95	2.12	2.29	2.46	2.63	2.80	2.97	3.14	3.31	3.48	3.61
16	2727	1.69	1.90	2.08	2.26	2.44	2.62	2.80	2.98	3.17	3.35	3.53	3.71	3.82
17	2889	1.80	2.01	2.20	2.40	2.59	2.78	2.97	3.16	3.36	3.55	3.74	3.91	4.03
18	3051	1.92	2.13	2.33	2.53	2.74	2.94	3.14	3.35	3.55	3.75	3.96	4.11	4.23

Frame types

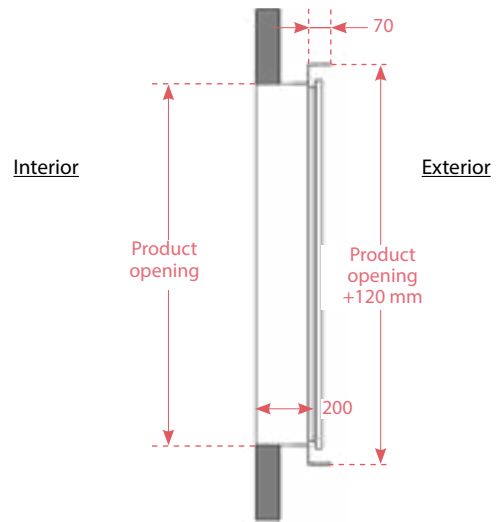
FACADE MOUNT

Type A

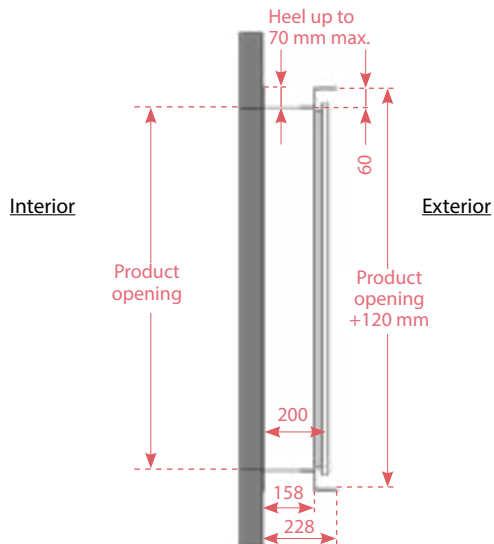


Type DT

= Type SR with no heel

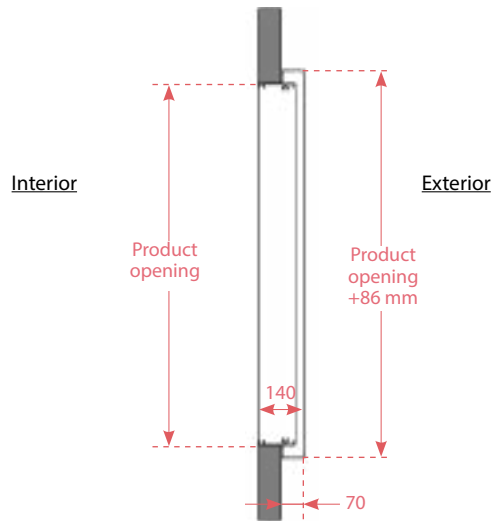


Type SR



Type T

= Type A with no flashing







SKYDÔME

Entre Deux Villes
02270 Sons-Et-Ronchères, France
Tel: +33 (0)3 23 21 79 90
Email: info@skydome.eu
www.skydome.eu

For the product range in other countries, please contact your local representative or visit www.skydome.eu

SKYDÔME reserves the right to modify product specifications without notice. The information and technical details contained in this documentation are provided in good faith and apply to the uses described. The recommendations for use must be checked to ensure they are appropriate and comply with the actual requirements, the specifications and all applicable legislation and regulations.

For other applications and conditions of use, please contact our technical team. Their advice must be sought concerning uses of our products that are not described specifically herein.

Click this link to check that you are seeing the most up-to-date and accurate information about our products:
https://www.skydome.eu/fr/produit/33_arcafacade-evolution-pneumatique.html